

## PB INNOVATION



### Plastic Material Tanks



#### Application:

- Plastic Material storage beside machine
- Size 120 liter upto 240 liter

#### Feature:

- Virgin material tank
- Full lid cover
- Double handle to access lid cover
- Easy to moveable
- Easy to change material
- Suction box for material conveying



#### Suction Boxes, (STD)

- 1 x Material outlet
- OD 50



#### Capacitive Sensor, (Option)

- For material empty checking
- Adjustment sensor detected
- Install on stainless tank



#### Lighting Tower, (Option)

- Alarm material empty
- Connect with capacitive sensor
- Install on stainless tank

### Plastic Material Tanks (PMT)

Model	WxLxH	Capacity	Wheels	Lid	Suction Boxes	Option on requested
	mm.	liter (l)			OD50	
PMT - 120	550 x 480 x 1060	120	Included	Full	1	1) Capacitive Sensor
PMT - 240	580 x 730 x 1220	240				2) Alarm material empty

Kg = material bulk density (kg/dm<sup>3</sup>) x liter

### Stainless Material Tanks



**Application:**

- Material storage beside machine
- Suitable for production or material room
- Size 50 liter upto 1,000 liter

**General:**

- Stainless Steel tank, 304
- Half/full material tank lid for easy clean and material changeable
- Easy to moveable
- Air flow adjustment
- Suction box for material conveying
- Big material name text
- Suitable for many material outlet

**Option:**

- Additional suction boxes
- Capacitive sensor
- Alarm material empty



**Suction Probe, (STD)**

- 1 x Material outlet
- 1 x material drain



**Capacitive Sensor, (Option)**

- For material empty checking
- Adjustment sensor detected
- Install on stainless tank



**Lighting Tower, (Option)**

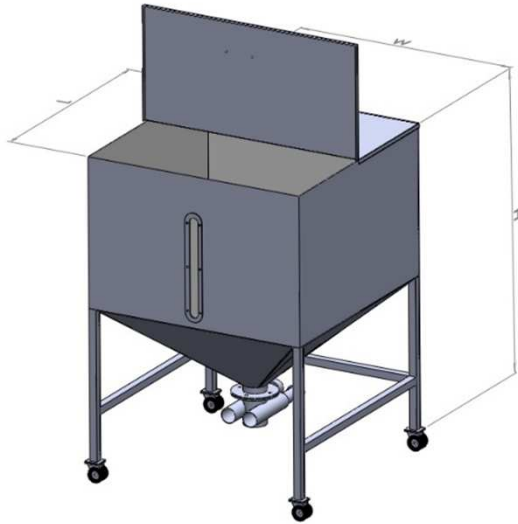
- Alarm material empty
- Connect with capacitive sensor
- Install on stainless tank

**Stainless Material Tanks (MTC)**

Model	WxLxH	Capacity	Side Glass	Wheels	Lid	Suction Boxes	Adjust Air Flow	Option on requested
	mm.	liter (l)				OD73	c/w filter	
SMT - 50	OD400 x 800	50	NO	Included	Full Lid	1	NO	1) Additional suction boxes (Material outlet) 2) Capacitive Sensor 3) Alarm material empty
SMT - 100	OD500 x 800	100						
SMT - 150	OD600 x 850	150						
SMT - 200	OD650 x 1000	200						
SMT - 300	OD750 x 1100	300						
SMT - 500	OD800 x 1200	500						
SMT - 1000	OD1200 x 1300	1000						
SMT - RQ	upon requested							

Kg = material bulk density (kg/dm<sup>3</sup>) x liter

### Stainless Material Tanks



#### Application:

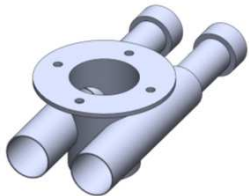
- Material storage beside machine
- Suitable for production or material room
- Size 50 liter upto 1,000 liter

#### General:

- Stainless Steel tank, 304
- Half/full material tank lid for easy clean and material changeable
- Sight glass
- Easy to moveable
- Air flow adjustment
- Suction box for material conveying
- Big material name text
- Suitable for many material outlet

#### Option:

- Additional suction boxes
- Capacitive sensor
- Alarm material empty



#### Suction Boxes, (STD)

- 2 x Material outlet
- 2 x air flow adjustment with filter
- 1 x material drain



#### Capacitive Sensor, (Option)

- For material empty checking
- Adjustment sensor detected
- Install on stainless tank



#### Lighting Tower, (Option)

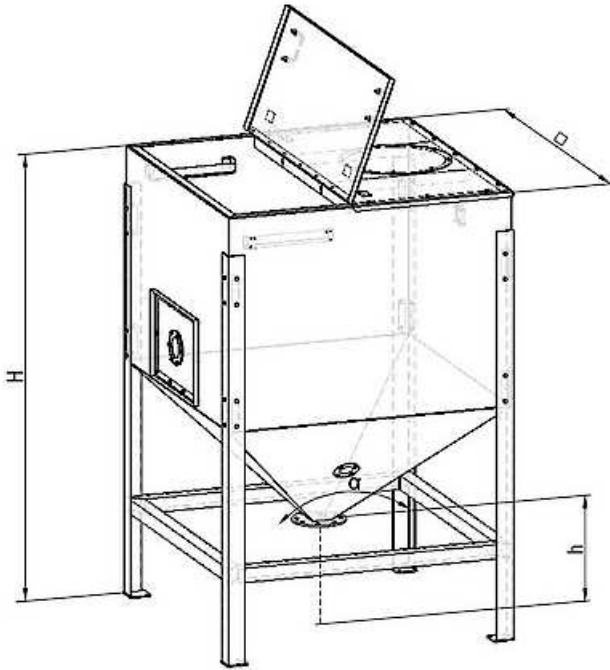
- Alarm material empty
- Connect with capacitive sensor
- Install on stainless tank

### Stainless Material Tanks (SMT)

Model	WxLxH	Capacity	Side Glass	Wheels	Lid	Suction Boxes	Adjust Air Flow	Option on requested
	mm.	liter (l)				OD50	c/w filter	
SMT - 50	400 x 400 x 800	50	Included	Included	Full Lid	1	Included	1) Additional suction boxes (Material outlet) 2) Capacitive Sensor 3) Alarm material empty
SMT - 100	500 x 500 x 800	100						
SMT - 150	600 x 600 x 850	150						
SMT - 200	650 x 650 x 1000	200			Half Lid	2		
SMT - 300	750 x 750 x 1100	300						
SMT - 500	800 x 800 x 1200	500						
SMT - 1000	1200 x 1200 x 1300	1000						
SMT - RQ	upon requested							

Kg = material bulk density (kg/dm<sup>3</sup>) x liter

### Stainless Material Tanks



#### Application:

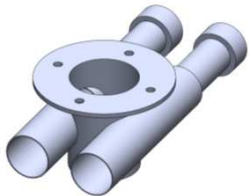
- Material storage beside machine
- Suitable for production or material room
- Size 1,000 liter upto 6,000 liter

#### General:

- Stainless Steel tank, 304
- Half/full material tank lid for easy clean and material changeable
- Sight glass
- Easy to moveable
- Air flow adjustment
- Suction box for material conveying
- Big material name text
- Suitable for many material outlet

#### Option:

- Additional suction boxes
- Capacitive sensor
- Alarm material empty



#### Suction Boxes, (STD)

- 2 x Material outlet
- 2 x air flow adjustment with filter
- 1 x material drain



#### Capacitive Sensor, (Option)

- For material empty checking
- Adjustment sensor detected
- Install on stainless tank



#### Lighting Tower, (Option)

- Alarm material empty
- Connect with capacitive sensor
- Install on stainless tank

### Stainless Material Tanks (SMT)

Model	WxLxH	Capacity	Side Glass	Wheels	Lid	Suction Boxes	Adjust Air Flow	Option on requested
	mm.	liter (l)				OD50	c/w filter	
SMT-1000	1200x1200x1400	1000	Included	Included	Half Lid	1	Included	1) Additional suction boxes (Material outlet) 2) Capacitive Sensor 3) Alarm material empty
SMT-1500	1200x1200x1700	1500						
SMT-2000	1200x1200x1900	2000						
SMT-2500	1500x1500x1700	2500			Half Lid	2		
SMT-3000	1500x1500x1900	3000						
SMT-4000	1500x1500x2200	4000						
SMT-5000	1500x1500x2500	5000						
SMT - RQ	upon requested							

Kg = material bulk density (kg/dm<sup>3</sup>) x liter