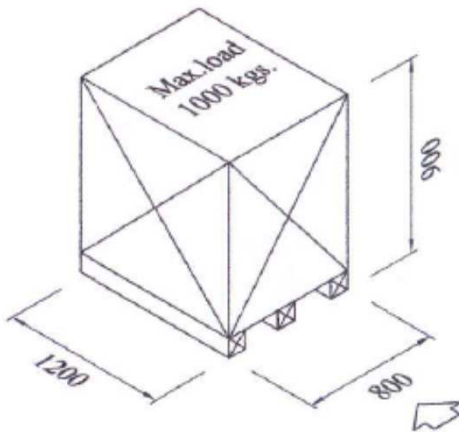
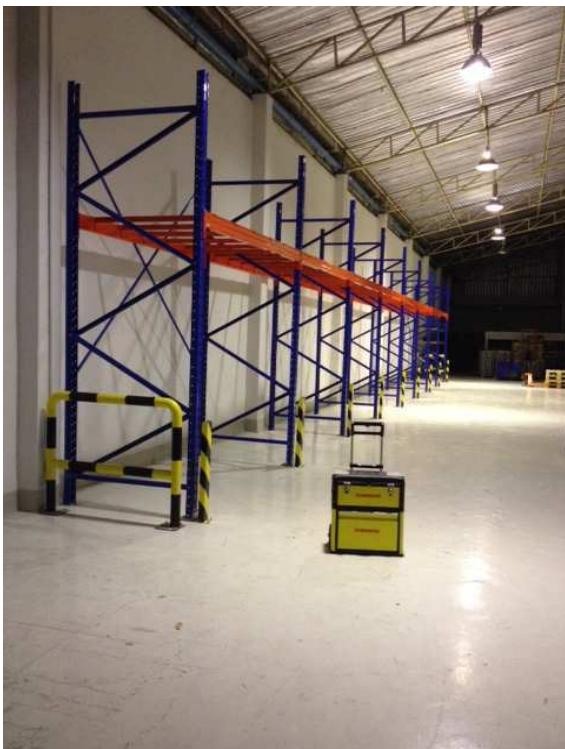


PB INNOVATION



Pallet Dimension

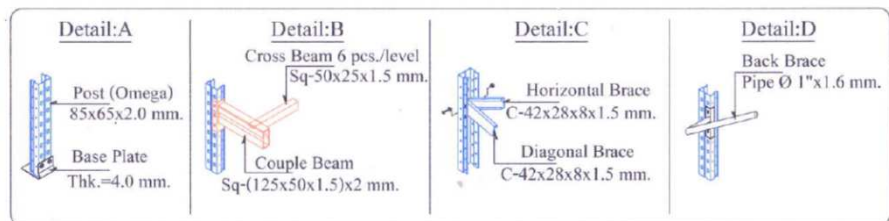


BMC – Racking System
Mr. Alex Peterson, Managing Director

Our customer, BMC was established in 2009 as a Danish owned and managed consultancy company, and has grown to become a manufacturer and start-to-end solution company supplying mainly Local, European, North American and Australian customers with quality products at a low price.

The focus of BMC operation is to supply to his customers with quality products, conforming to the standards of his customers, to be reliable in terms of time and agreements, and at a competitive price.

In 2012 BMC moved to new and bigger facilities in order to increase the capacity and reliability of the company. BMC is now located in a flood-free zone in order to be dependable for his customers. More information as www.bangkokmolds.com



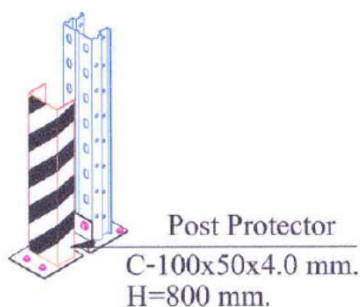
The Racking system is the most flexible unit for material storage, space saving, many configuration and heavy payload.

For BMC project has many ordering and timing to storage the goods before shipment to local and oversea customer. Until, BMC considering racking system to help them organized storage area, with 2 tons payload for each rack, with 32 pellets to meet 20" container. PB INNOVATION provided good accurate of levelling to balance payload 2 tons on 1 level and to be sure that BMC can add more levels on racking system in future requested. The racking system material is light weight but useful for heavy payload.

The side berries and post guard are most important to keep rack on level and protect the racking system from forklift , it is low price and to be changed a new one, once damage.

PB INNOVATION would take 3-4 hours installation with good support from BMC to make the job done easily.

More information and enquiry regarding to racking system please kindly contacts PB INNOVATION



Detail : Post protector