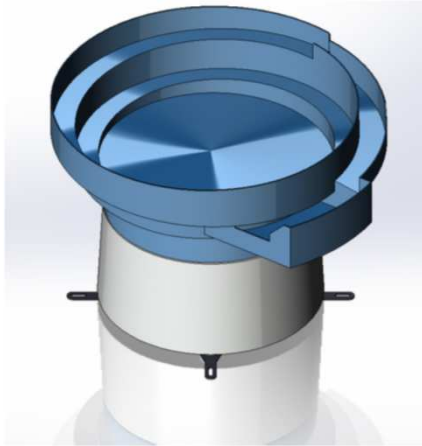


### Bowl Feeder



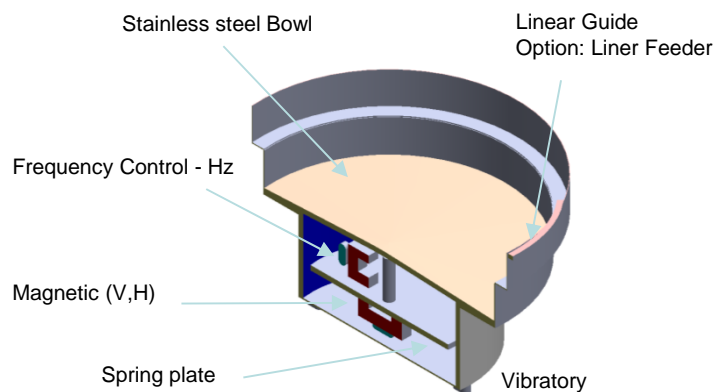
#### Application:

- Automatic part preparation
- Part Assembly
- Plastic, Medical and Electronic application

#### Feature:

- Less noise and smooth vibration
- Two direction of magnetic core for fine adjustment
- Various bowl feeder vibratory to suit your products
- Skill and experience in design liner guide and liner feeder
- Possible for heavy weight
- Many configuration for storage hopper and belt conveyor
- Automation and signal input/output upon requested.

### Bowl Feeder structure



### Accessory Equipment:-

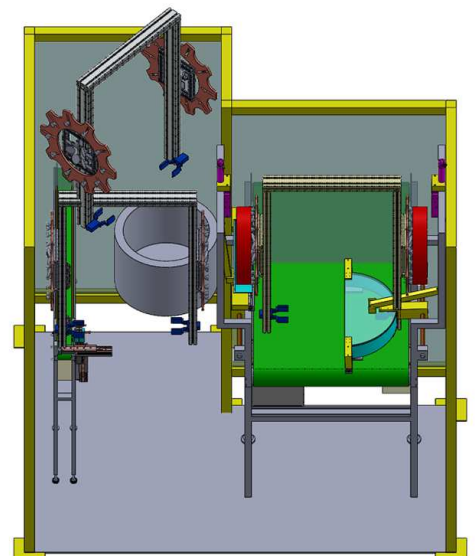
- Liner Feeder
- Belt Conveyor
- Liner Guide
- Bulk hopper



Liner Feeder.



Belt Elevator Hopper



Automation System - Upon requested

### Bowl Feeder

Type	PB-BF290	PB-BF360	PB-BF420	PB-BF460	PB-BF520
DO x H (mm.)	290 x 380	360 x 400	420 x 430	460 x 450	520 x 440
Capacity (l)	1.8	10	12	15	20
Blow weight (kg.)	7	12	15	16	18
Frame	Stainless Steel				
Frame	Steel sheet with Powder Coating				
Volate	220V, 1Ph				

Upon requested

### Application Photo

House Hold Product



Assembly Parts



Packaging Product



Automotive part

